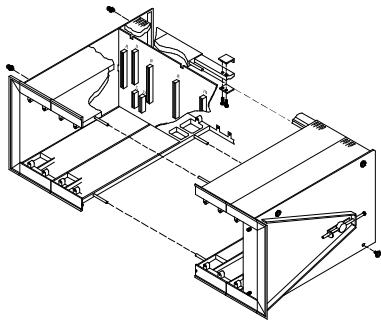


3300/05 Rack

Bently Nevada™ Asset Condition Monitoring



Description

The 3300/05 rack is a durable, easy to access, expandable mounting medium for the 3300 Monitoring System. It accommodates a Power Supply, System Monitor, and various types of 3300 Monitors. Each monitor position in the rack includes a Signal Input/Relay Module position at the rear of the rack. The rack mainframe is manufactured in sections from an injection molded plastic; a conductive anti-static material dissipates electrostatic discharge.

The rack bezel allows you to individually identify machine/monitor points or loop numbers by using the factory engraved bezel tags or clear plastic strips over paper tags. The 3300 modular design eliminates the need for internal rack wiring and allows easy expansion to meet your increased monitoring requirements.

The left-most position (position 1) of the rack is designated for the Power Supply. The position next to the Power Supply (position 2) is reserved for the System Monitor. The other rack positions (3 through 14) are available for any combination of individual monitors.



Specifications and Ordering Information
Part Number 141492-01
Rev. F (04/07)

Hazardous Area Approvals

CSA/NRTL/C

Approval Option (01)

Class I, Div 2
Groups A, B, C, D
T4 @ Ta max 65 °C

Certification Number

150368 - 1002151 (LR 26744)

ATEX

Approval Option (02)

For Selected Ordering Options with ATEX/CSA agency approvals:



II G

EEx nC[L] IIC

T4 @ Ta = -20°C to +60°C

Certification Number

BN26744C-55A

Ordering Information

Rack

3300/05-AXX-BXX-CXX

Option Descriptions

A: Rack Size Option
(SDI/DDI Compatible)

2 1 4-position

- 2 2 6-position
- 2 3 8-position
- 2 4 10-position
- 2 5 12-position
- 2 6 14-position
- 2 7 8-position 19-inch EIA
mounting
- 3 1 4-position with internal barrier
bar
- 3 2 6-position with internal barrier
bar
- 3 3 8-position with internal barrier
bar
- 3 4 10-position with internal
barrier bar
- 3 5 12-position with internal
barrier bar
- 3 6 14-position with internal
barrier bar
- 3 7 8-position 19-inch EIA
mounting with internal barrier
bar

B: Agency Approval Option

- 0 0 Not Required
- 0 1 CSA/NRTL/C
- 0 2 ATEX self certification

Note: ATEX approval requires the monitor rack be installed in a weatherproof housing.

C: Mounting Option

- 0 0 Standard
- 0 1 Used in Weatherproof housing
or for 19-inch EIA rack
mounting.

Note: Weatherproof housing option provides EIA type mounting holes on rack front panel.

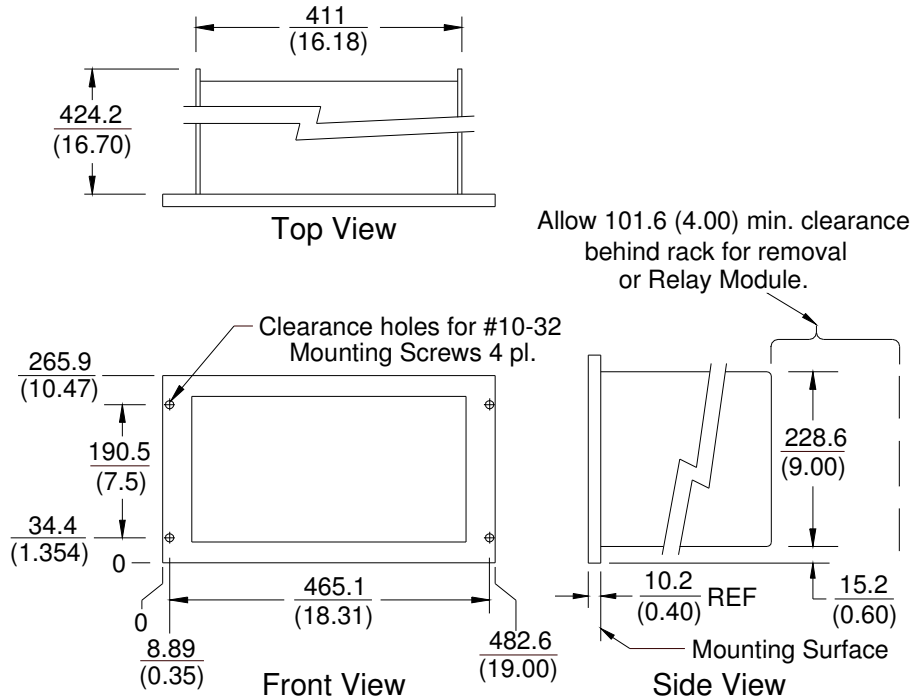
Accessories:

101703-01

Blank Kit

Dimensions

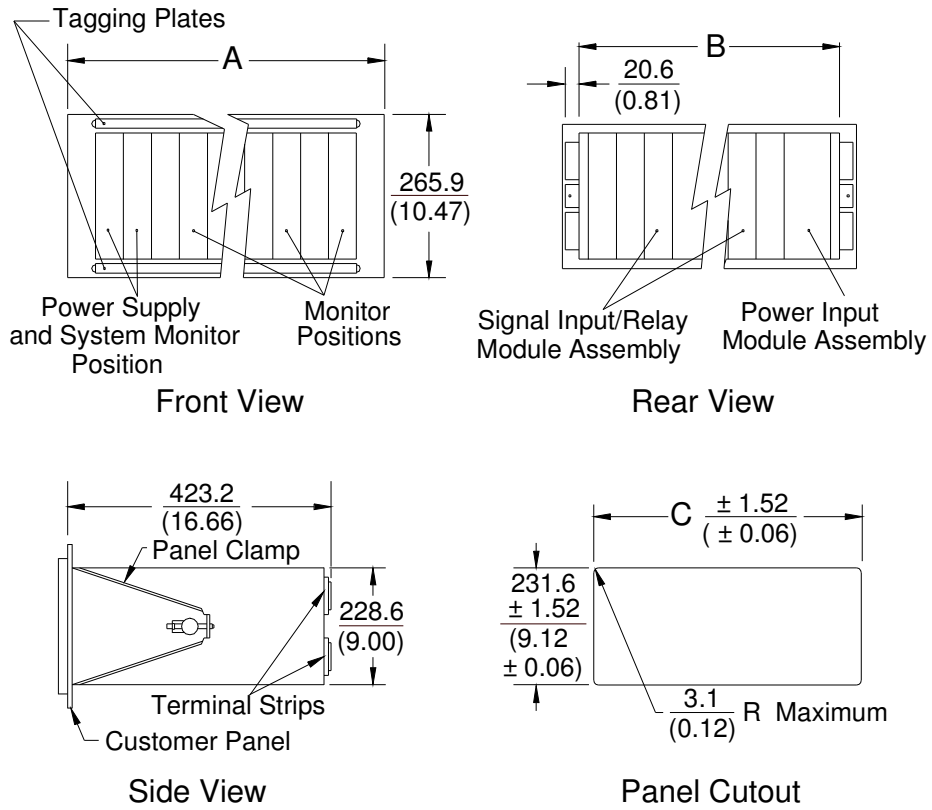
3300/05 Rack -27 or -37 option shown



Note: Dimensions are in millimetres (inches)

EIA mounting dimensions for 3300, 8 position rack

Variable Dimension Table							
Variable Dimension	4 Position	6 Position	8 Position	10 Position	12 Position	14 Position	
A	Inches	11.00	15.00	19.00	23.00	27.00	31.00
	Millimetres	279.4	381	482.6	584.2	685.8	787.4
B	Inches	8.18	12.18	16.18	20.18	24.18	28.18
	Millimetres	207.8	309.4	411.0	512.6	614.2	715.8
C	Inches	8.56	12.57	16.57	20.58	24.58	28.59
	Millimetres	217.4	319.3	420.9	522.7	624.3	726.2



Note: Dimensions are in millimetres (inches)

Bently Nevada is a trademark of General Electric Company.

Copyright 1999. Bently Nevada LLC.
 1631 Bently Parkway South, Minden, Nevada USA 89423
 Phone: 775.782.3611 Fax: 775.215.2873
www.ge-energy.com/bently
 All rights reserved.